



STYLE # 2020 Tall

July 16, 2014

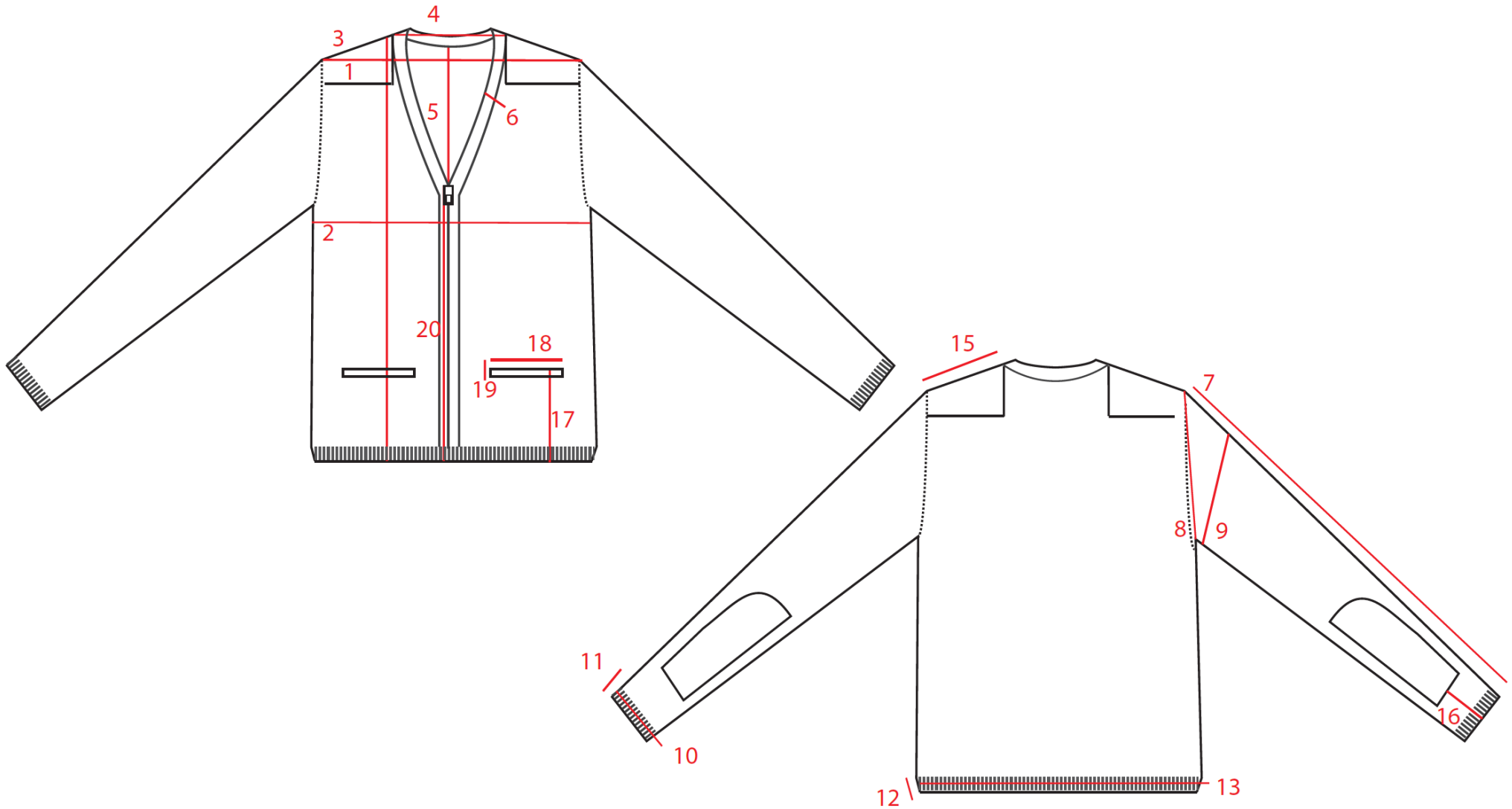
DESCRIPTION: V-Neck Zip Front Commando Sweater with Polar Fleece Lining. Name plate, badge plate, and epaulettes swift attached.
SHOULDER & ELBOW PATCHES FABRIC: 100% nylon
CONTENT: 30% Polyester / 33% Wool / 37% Acrylic
FABRIC TYPE: 2 x 1 Rib Knit
GAUGE: 7gg
FIT: Classic
COLOR: Black (368), Dark Navy (4019)

PRODUCT: Commando Sweaters
GENDER: Unisex
SIZE RANGE: XS-6XL
SIZE CLASS: Unisex Adult Regular
LINING: 100% Polyester Fleece
YARN SIZES: (11gg 2x1 Rib) 1/32s + 100 x 144F

GRADE SHEET

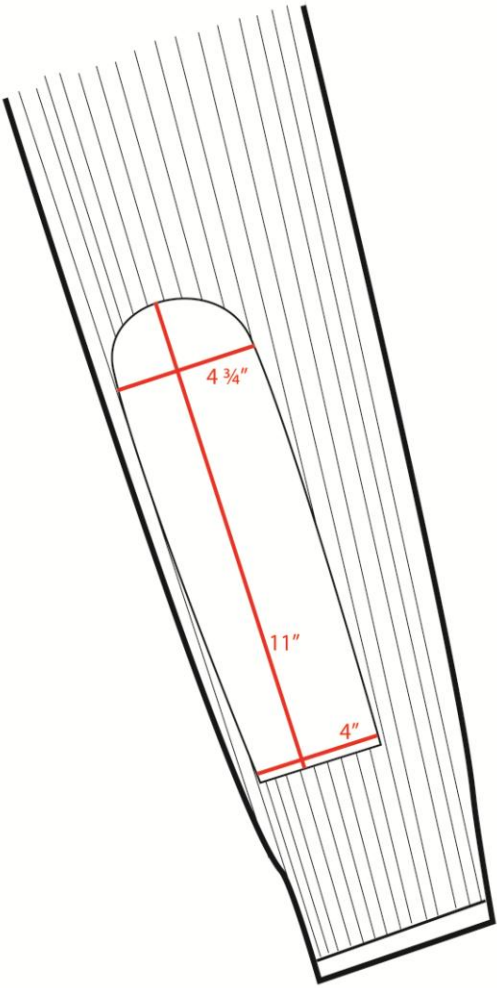
Point of Measurement (P.O.M)	XS	S	M	L	XL	2XL	3XL	4XL	5XL	6XL	TOL (+/-)
1.Length (From HSP)	26½	27½	28½	29½	30½	31½	32½	33½	34½	35½	1
2.Chest (1" below armhole)	17	19	21	23	25	27	29	31	33	35	1
3.Shoulders(Seam to Seam)	15 ½	17	18 ½	20	21	22	23	24	25	26	½
4. Neck Width Opening (Including Rib)	6 ¼	6 ½	6 ½	7	7	7	7 ½	7 ¾	8	8 ¼	¼
5. Front Neck Drop (Seam to seam)	6¼	6¼	6½	6¾	7	7¼	7½	7¾	8	8¼	¼
6.Collar Binding Rib	1 ¼	1 ¼	1 ¼	1 ¼	1 ¼	1 ¼	1 ¼	1 ¼	1 ¼	1 ¼	-
7.Sleeve Length (From Shoulder)	25	25½	26	26½	27	27½	28	28½	29	29½	1
8.Armhole(Straight seam to seam)	9	9½	10	10½	11	11½	12	12½	13	13½	½
9.Bicep (7" from shoulder)	7	7 ½	8	8 ½	9	9 ½	10	10½	11	11½	½
10. Cuff Width (Flat)	3 7/8	4	4½	4¾	4 3/8	4½	4¾	4¾	4 7/8	5	¼
11.Cuff Binding	¼	¼	¼	¼	¼	¼	¼	¼	¼	¼	-
12.Waistband Binding (Elastic)	¼	¼	¼	¼	¼	¼	¼	¼	¼	¼	-
13.Sweep	15½	17½	19½	21½	23½	25½	27½	29½	31½	33½	1
14.Epaulette Length (Width - 1 ¾")	4 ¾	5 ¾	6 ½	7	7 ½	8	8 ¼	8 ¾	9	9 ¾	¼
15. Shoulder Patch (Width- 8 ½")	4 ½	5 ¼	6	6 ½	7	7 ½	7 ¾	8 ½	8 ½	8 ¾	¼
16.Elbow Patch Height	4	4 ¼	4 ½	4 ¾	5	5 ¼	5 ½	5 ¾	6	6 ¼	¼
17. Position of Pocket	6 ¾	7	7	7½	7½	8	8	8	8	8	½
18.Pocket Width	5	5	5¼	5½	5¾	6	6¼	6¼	6¼	6¼	¼
19. Pocket Welt Width	¾	¾	¾	¾	¾	¾	¾	¾	¾	¾	-
20. Zipper Length	19¼	20¼	21	21¾	22½	23¼	24	24¾	25½	26¼	1

P.O.M SKETCH

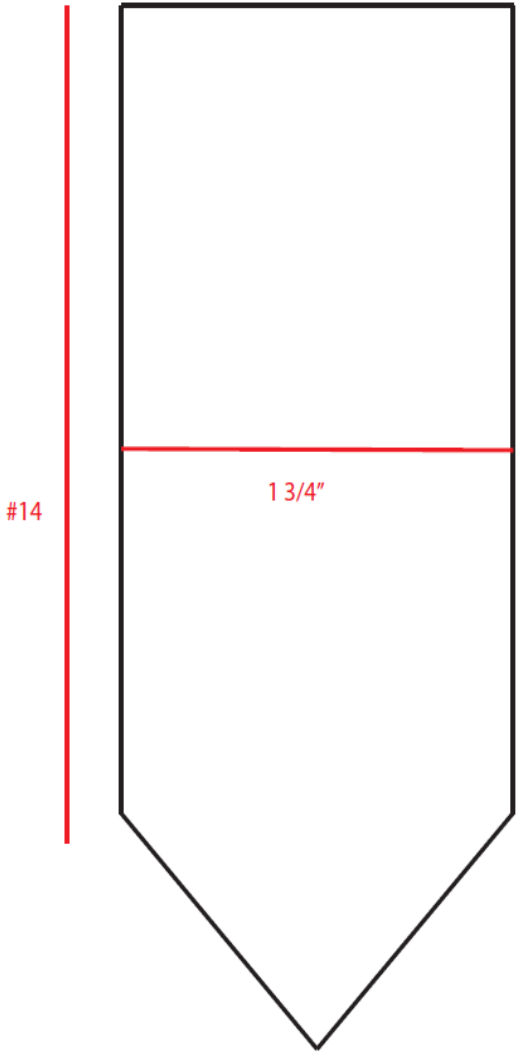


ELBOW PATCH & EPAULETTE

Elbow Patch



Epaulette





STYLE # 2020

July 16, 2014

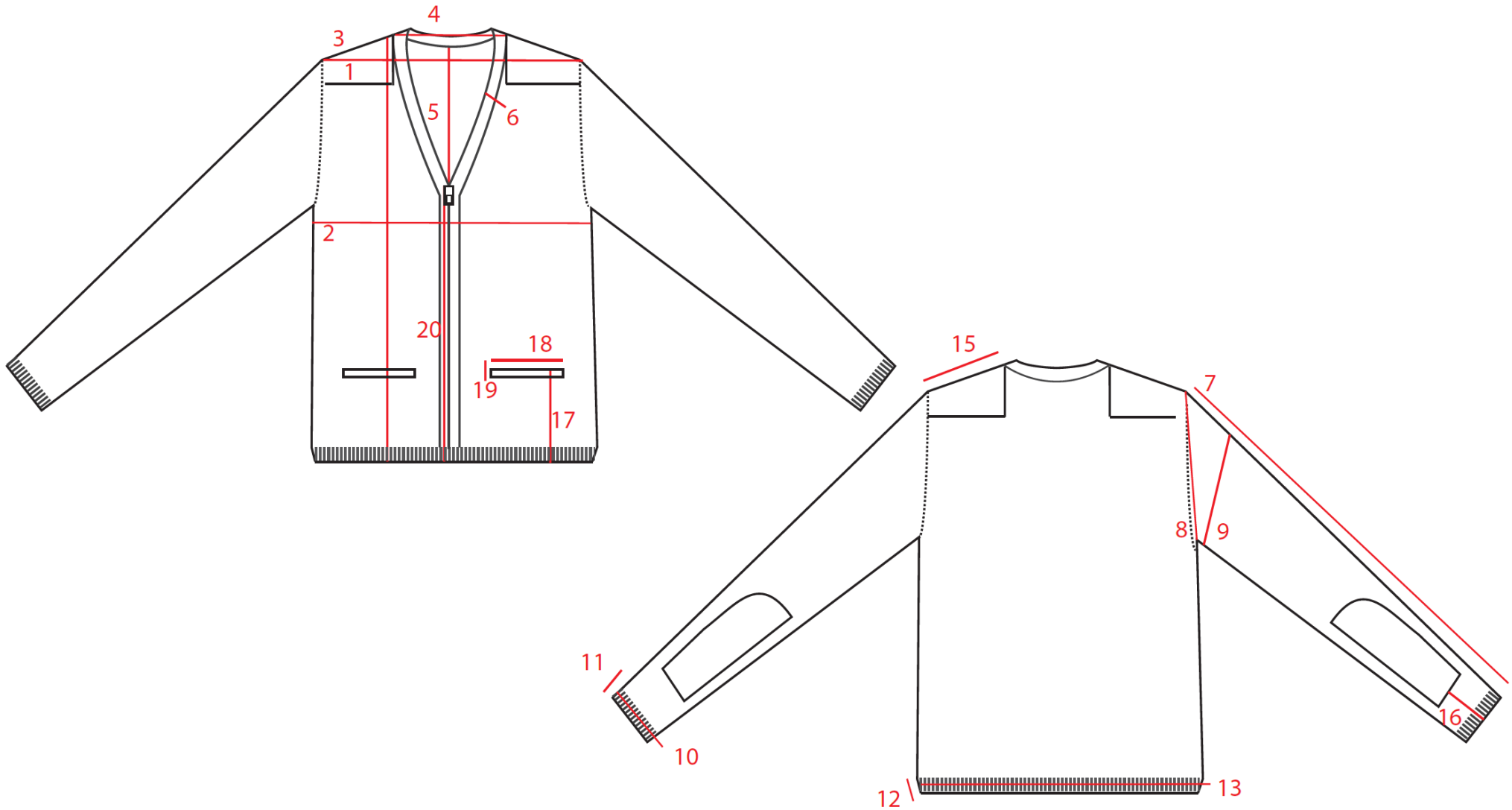
DESCRIPTION: V-Neck Zip Front Commando Sweater with Polar Fleece Lining. Name plate, badge plate, and epaulettes swift attached.
SHOULDER & ELBOW PATCHES FABRIC: 100% nylon
CONTENT: 30% Polyester / 33% Wool / 37% Acrylic
FABRIC TYPE: 2 x 1 Rib Knit
GAUGE: 7gg
FIT: Classic
COLOR: Black (368), Dark Navy (4019)

PRODUCT: Commando Sweaters
GENDER: Unisex
SIZE RANGE: XS-6XL
SIZE CLASS: Unisex Adult Regular
LINING: 100% Polyester Fleece
YARN SIZES: (11gg 2x1 Rib) 1/32s + 100 x 144F

GRADE SHEET

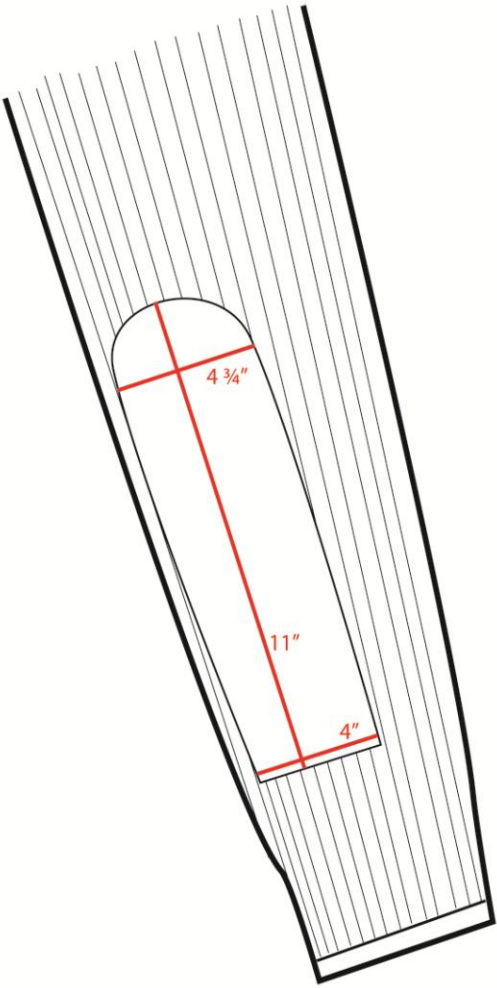
Point of Measurement (P.O.M)	XS	S	M	L	XL	2XL	3XL	4XL	5XL	6XL	TOL (+/-)
1.Length (From HSP)	25	26	27	28	29	30	31	32	33	34	1
2.Chest (1" below armhole)	17	19	21	23	25	27	29	31	33	35	1
3.Shoulders(Seam to Seam)	15 ½	17	18 ½	20	21	22	23	24	25	26	½
4. Neck Width Opening (Including Rib)	6 ¼	6 ½	6 ½	7	7	7	7 ½	7 ¾	8	8 ¼	¼
5. Front Neck Drop (Seam to seam)	6¼	6¼	6½	6¾	7	7¼	7½	7¾	8	8¼	¼
6.Collar Binding Rib	1 ¼	1 ¼	1 ¼	1 ¼	1 ¼	1 ¼	1 ¼	1 ¼	1 ¼	1 ¼	-
7.Sleeve Length (From Shoulder)	23½	24	24½	25	25½	26	26½	27	27½	28	1
8.Armhole(Straight seam to seam)	9	9½	10	10½	11	11½	12	12½	13	13½	½
9.Bicep (7" from shoulder)	7	7 ½	8	8 ½	9	9 ½	10	10½	11	11½	½
10. Cuff Width (Flat)	3 7/8	4	4½	4¼	4 3/8	4½	4¾	4¾	4 7/8	5	¼
11.Cuff Binding	¼	¼	¼	¼	¼	¼	¼	¼	¼	¼	-
12.Waistband Binding (Elastic)	¼	¼	¼	¼	¼	¼	¼	¼	¼	¼	-
13.Sweep	15½	17½	19½	21½	23½	25½	27½	29½	31½	33½	1
14.Epaulette Length (Width - 1 ¾")	4 ¾	5 ¾	6 ½	7	7 ½	8	8 ¼	8 ¾	9	9 ¾	¼
15. Shoulder Patch (Width- 8 ½")	4 ½	5 ¼	6	6 ½	7	7 ½	7 ¾	8 ½	8 ½	8 ¾	¼
16.Elbow Patch Height	4	4 ¼	4 ½	4 ¾	5	5 ¼	5 ½	5 ¾	6	6 ¼	¼
17. Position of Pocket	6 ¾	7	7	7½	7½	8	8	8	8	8	½
18.Pocket Width	5	5	5¼	5½	5¾	6	6¼	6¼	6¼	6¼	¼
19. Pocket Welt Width	¾	¾	¾	¾	¾	¾	¾	¾	¾	¾	-
20. Zipper Length	19¼	20¼	21	21¾	22½	23¼	24	24¾	25½	26¼	1

P.O.M SKETCH



ELBOW PATCH & EPAULETTE

Elbow Patch



Epaulette

