



# STYLE # 1110 - OS

August 7, 2014

**DESCRIPTION:** Polar Fleece Lined Knit Hat  
**TRIM FABRIC:** 100% Nylon  
**LINING:** 100% Polyester Micro-Fleece  
**CONTENT:** 30% Polyester / 33% Wool / 37% Acrylic  
**FABRIC TYPE:** 2 x 1 Rib Knit  
**COLOR:** Black (368) & Dark Navy (4019)

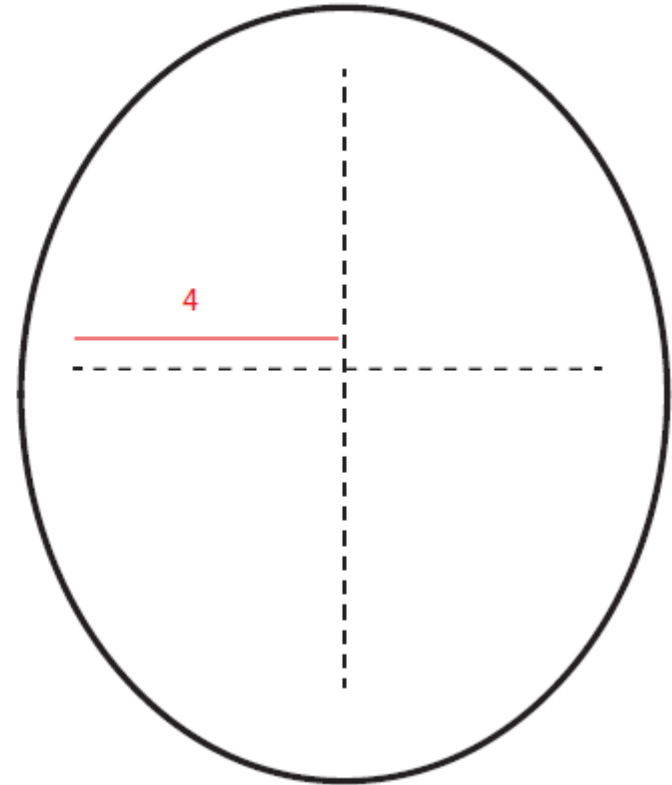
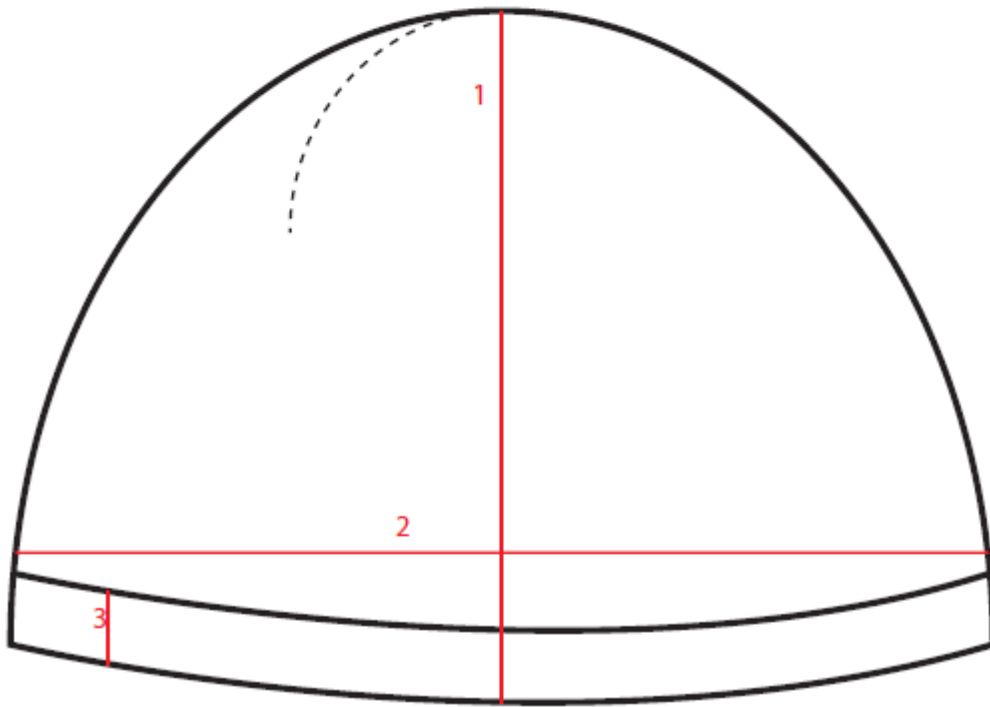
**PRODUCT:** Knit Hat  
**GENDER:** Unisex  
**FIT:** Classic  
**SIZE RANGE:** Oversize  
**SIZE CLASS:** Unisex Adult Regular

## GRADE SHEET

Point of Measurement (P.O.M)	OS	TOL (+/-)
1.Height (From Center top down)	8½	½
2.Width	11½	½
3.Height of Brim	1¼	⅛
4. Top Seam	3	⅛

# P.O.M SKETCH

Birds Eye View





# STYLE # 1110 - RG

August 7, 2014

**DESCRIPTION:** Polar Fleece Lined Knit Hat  
**TRIM FABRIC:** 100% Nylon  
**LINING:** 100% Polyester Micro-Fleece  
**CONTENT:** 30% Polyester / 33% Wool / 37% Acrylic  
**FABRIC TYPE:** 2 x 1 Rib Knit  
**COLOR:** Black (368) & Dark Navy (4019)

**PRODUCT:** Knit Hat  
**GENDER:** Unisex  
**FIT:** Classic  
**SIZE RANGE:** Regular  
**SIZE CLASS:** Unisex Adult Regular

## GRADE SHEET

Point of Measurement (P.O.M)	RG	TOL (+/-)
1.Height (From Center top down)	8	½
2.Width	10½	½
3.Height of Brim	1¼	⅛
4. Top Seam	2¾	⅛

# P.O.M SKETCH

Birds Eye View

